

WIRE, 18 AWG:
 BE = BLUE
 BK = BLACK
 BN = BROWN
 GN = GREEN
 OE = ORANGE
 PK = PINK
 RD = RED
 VT = VIOLET
 WE = WHITE
 YW = YELLOW

WIRE, 12 AWG:
 *BK = BLACK
 *GN = GREEN
 *WE = WHITE
 *RD = RED

RELAY/SWITCH TERMINALS:
 C = COMMON
 NC = NORM. CLOSED
 NO = NORM. OPEN

OR = SHIELDED CABLE

CONTROL PANEL STRIP TERMINALS

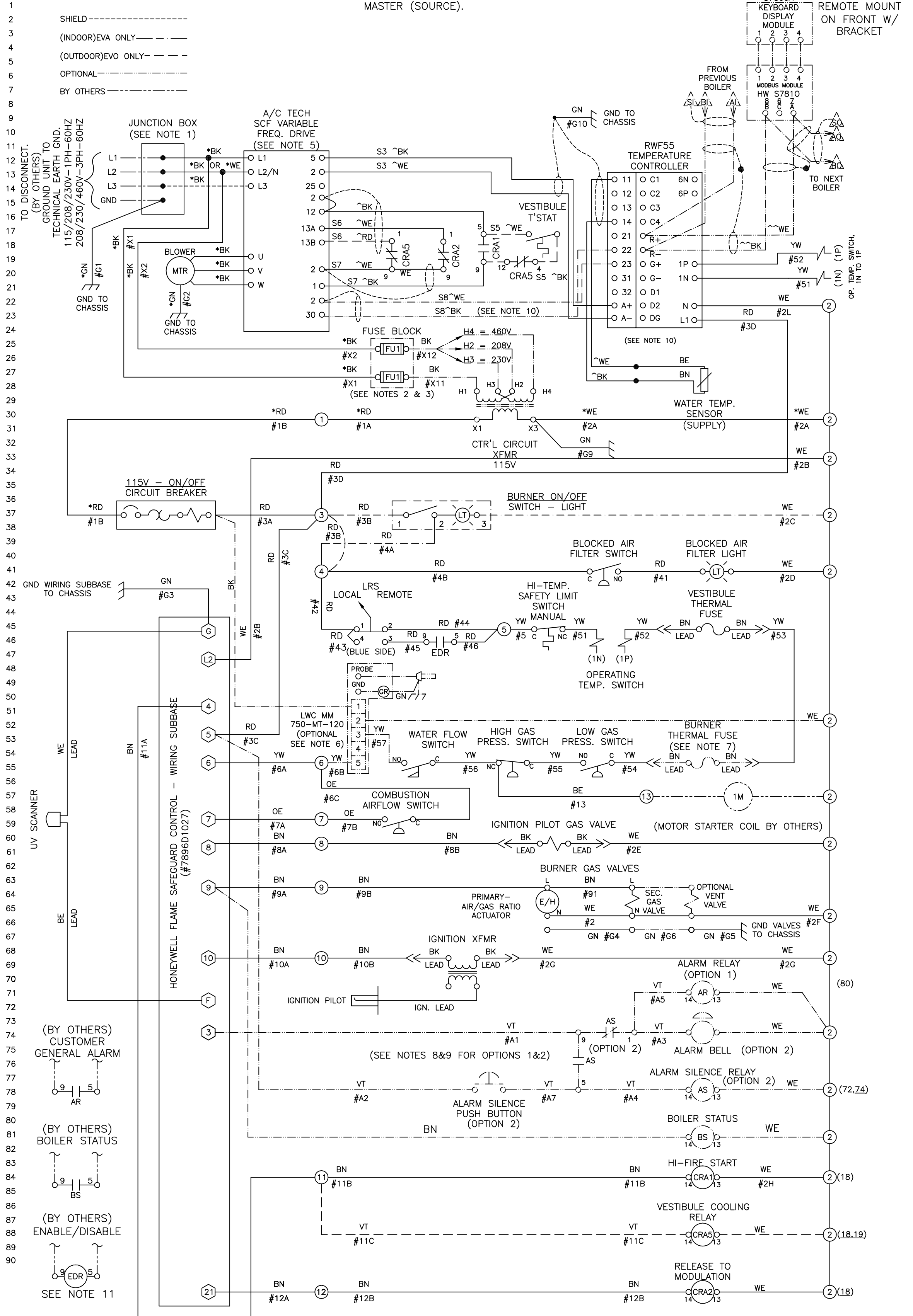
MODBUS STRIP TERMINALS

WIRE JUNCTION W/ SPRING CAGE CONNECTOR (PN 81368915)

NOTE

- USE TERMS L1 & N FOR 115V 1PH(BK & WE WIRE)
 USE TERMS L1 & L2 FOR 208/230 1PH(BK WIRES)
 USE TERMS L1, L2, & L3 FOR 208/230/460 3PH(BK WIRES)
- UL CLASS 'CC' CARTRIDGE FUSE, TIME DELAY, 600V AC, 200KA I.R., 3 AMP.
- FOR 120V-1PH ONLY:
 A. COMBINE RD WIRE LABELED 1A INTO SPRING CAGE CONNECTOR W/ L1 WIRES FROM J-BOX AND VFD.
 B. COMBINE WE WIRE LABELED 2A INTO SPRING CAGE CONNECTOR W/ L2 WIRES FROM J-BOX AND VFD.
 C. TRANSFORMER GROUND IS NOT USED.
- FACTORY WIRED TO TERM 5 FOR 0-10VDC; IF 4-20mA IS USED, CONNECT S3~BK TO TERM 25 AND CHANGE PARAMETER P-05 TO 04.

- IF LOW WATER CUTOFF IS NOT USED, CONNECT YW WIRE 6B FROM TERMINAL 6 TO WATER FLOW SWITCH TERM NO.
- IF BURNER THERMAL FUSE IS NOT USED, CONNECT YW WIRE #54 FROM VESTIBULE THERMAL FUSE TO THE LOW GAS PRESSURE SWITCH TERMINAL C
- OPTION 1: GENERAL ALARM RELAY CAN BE USED WITH OPTION 2 WHEN SPECIFIED ON WORK ORDER. IF OPTION 2 IS NOT SPECIFIED, CONNECT VT WIRE #A1 FROM TERM 3 ON SUBBASE TO TERM 14 ON ALARM RELAY
- OPTION 2: ALARM BELL, SILENCING SWITCH, & SILENCING RELAY CAN BE USED WITH OPTION 1 WHEN SPECIFIED ON THE WORK ORDER. IGNORE OPTION 1 IF IT IS NOT SPECIFIED.
- IF 106695-01 IS ORDERED INSTALL WIRES ON TERMINALS 22, 23, R-, R+ OF RWF55 AS SHOWN
- ENABLE/DISABLE RELAY COIL CAN BE 24VDC, 24VAC, OR 120VAC. USE WHICHEVER IS SPECIFIED ON THE WORK ORDER
- ALL SHIELDED MODBUS WIRES ARE ONLY GROUND AT THE RS485 MASTER (SOURCE).



REV. N	EN. 34-1155-10421	DATE: 12/11/15	DWN:	SPS	ENG:	SPS	APPD:	APPD:
CHANGED	ECCS-THB1 TO 106695-01 (RWF55 MODBUS ADD-ON) IN NOTE 10.							

REFERENCE ASME Y14.5M-1994 FOR GEOMETRIC TOLERANCES. ALL DIMENSIONS IN INCHES. DRAWING NOT TO BE SCALED.
 NON-BASIC DIMENSIONAL AND ANGULAR TOLERANCES UNLESS OTHERWISE NOTED:
 DECIMALS: X.X - ±0.1, X.XX - ±0.05, FRACTIONAL: ±1/32. ANGULAR: ±1°

PROPERTY OF
Thermal Solutions Products LLC
 LANCASTER, PA 17604-3244

TITLE
 WIRING, MOD, EVA SIZE 1 & 2
 U/FM/CSD-1/DB&B/RI-POC/LFP; LRS FOR ENABLE/DISABLE

DRAWING NUMBER
 34-1102-C

SCALE
 NONE

DWG SIZE
 C

SHEET
 1 OF 1

