

WIRE, 18 AWG:  
 BE = BLUE  
 BK = BLACK  
 BN = BROWN  
 GN = GREEN  
 OE = ORANGE  
 PK = PINK  
 RD = RED  
 VT = VIOLET  
 WE = WHITE  
 YW = YELLOW

WIRE, 12 AWG:  
 \*BK = BLACK  
 \*GN = GREEN  
 \*WE = WHITE  
 \*RD = RED

RELAY/SWITCH TERMINALS:  
 C = COMMON  
 NC = NORM. CLOSED  
 NO = NORM. OPEN

~ OR ~ = SHIELDED CABLE

# CONTROL PANEL STRIP TERMINALS

▲ MODBUS STRIP TERMINALS

WIRE JUNCTION W/ SPRING CAGE CONNECTOR (PN 81368915)

REV. J EN. 34-1105-9565 DATE: 01/05/15

ADDED MISSING WIRE COLORS

DWN.

SPS

ENG.

SPS

APPD.

APPD.

APPD.

APPD.

APPD.

APPD.

APPD.

APPD.

APPD.

APPD.

APPD.

APPD.

APPD.

APPD.

APPD.

APPD.

APPD.

APPD.

APPD.

APPD.

APPD.

APPD.

APPD.

APPD.

APPD.

APPD.

APPD.

APPD.

APPD.

APPD.

APPD.

APPD.

APPD.

APPD.

APPD.

APPD.

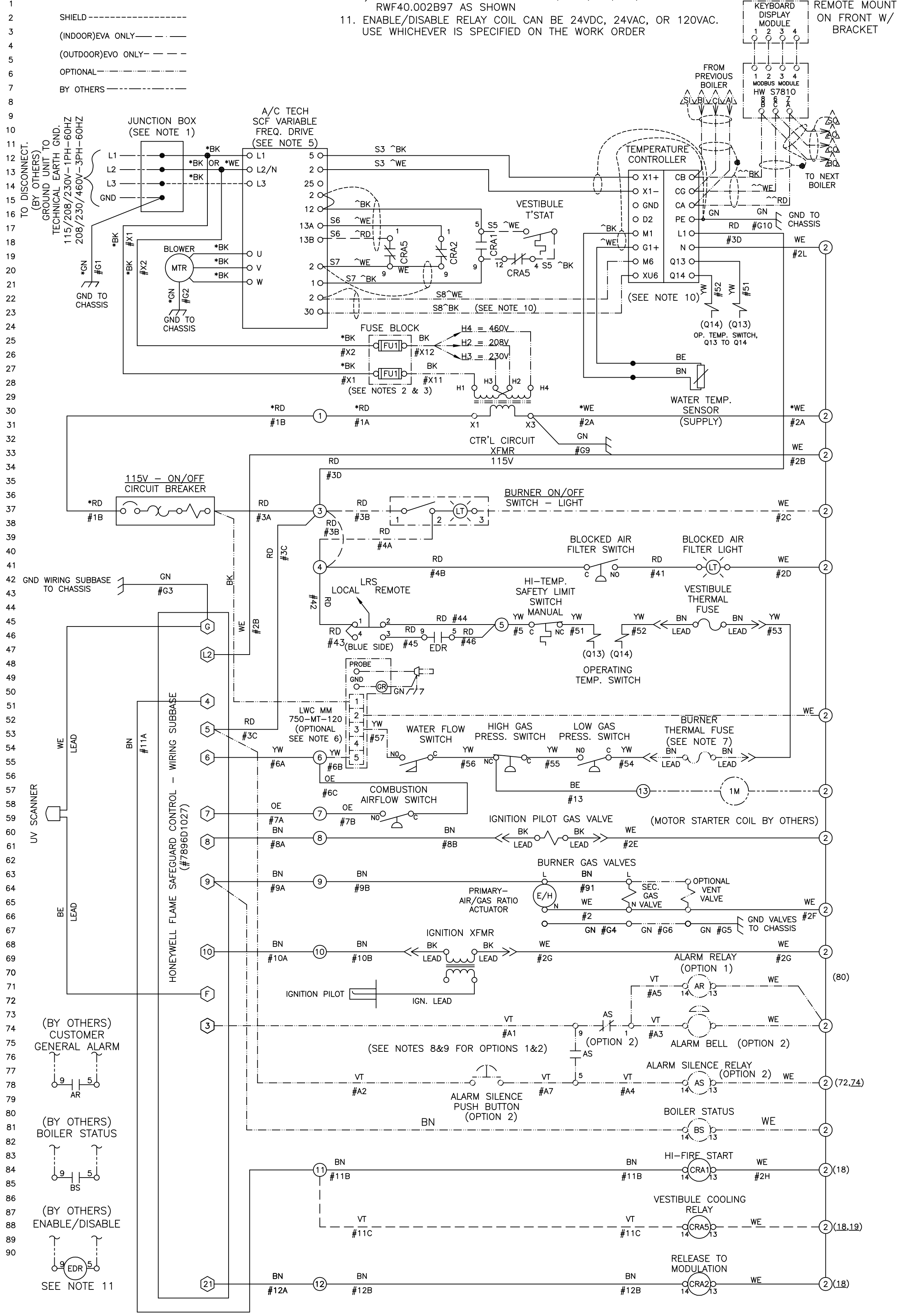
APPD.

APPD.

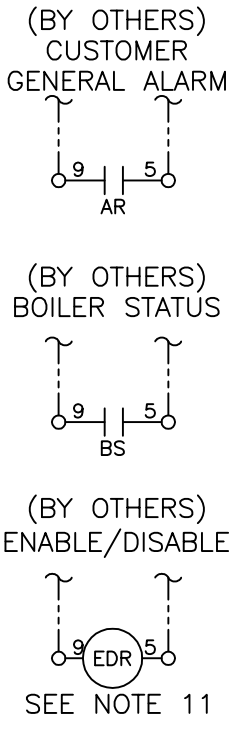
NOTE

- USE TERMS L1 & N FOR 115V 1PH(BK & WE WIRE)  
 USE TERMS L1 & L2 FOR 208/230 1PH(BK WIRES)  
 USE TERMS L1, L2, & L3 FOR 208/230/460 3PH(BK WIRES)
- UL CLASS 'CC' CARTRIDGE FUSE, TIME DELAY, 600V AC, 200KA I.R., 3 AMP.
- FOR 120V-1PH ONLY:  
 A. COMBINE RD WIRE LABELED 1A INTO SPRING CAGE CONNECTOR W/ L1 WIRES FROM J-BOX AND VFD.  
 B. COMBINE WE WIRE LABELED 2A INTO SPRING CAGE CONNECTOR W/ L2 WIRES FROM J-BOX AND VFD.  
 C. TRANSFORMER GROUND IS NOT USED.
- FACTORY WIRED TO TERM 5 FOR 0-10VDC; IF 4-20mA IS USED, CONNECT S3~BK TO TERM 25 AND CHANGE PARAMETER P-05 TO 04.

- IF LOW WATER CUTOFF IS NOT USED, CONNECT YW WIRE 6B FROM TERMINAL Ⓢ TO WATER FLOW SWITCH TERM NO.
- IF BURNER THERMAL FUSE IS NOT USED, CONNECT YW WIRE #54 FROM VESTIBULE THERMAL FUSE TO THE LOW GAS PRESSURE SWITCH TERMINAL C
- OPTION 1: GENERAL ALARM RELAY CAN BE USED WITH OPTION 2 WHEN SPECIFIED ON WORK ORDER. IF OPTION 2 IS NOT SPECIFIED, CONNECT VT WIRE #A1 FROM TERM 3 ON SUBBASE TO TERM 14 ON ALARM RELAY
- OPTION 2: ALARM BELL, SILENCING SWITCH, & SILENCING RELAY CAN BE USED WITH OPTION 1 WHEN SPECIFIED ON THE WORK ORDER. IGNORE OPTION 1 IF IT IS NOT SPECIFIED.
- FOR MODBUS BUILD ONLY(PN ECCS-THB or ECCS-THB1)  
 a.) REPLACE STANDARD RWF40.001A97 W/ MODBUS CAPABLE RWF40.002B97  
 b.) PROGRAM C111=9E00  
 c.) INSTALL WIRES ON TERMINALS M6, XU6, CB, CG, & CA OF RWF40.002B97 AS SHOWN
- ENABLE/DISABLE RELAY COIL CAN BE 24VDC, 24VAC, OR 120VAC. USE WHICHEVER IS SPECIFIED ON THE WORK ORDER



1 SHIELD-----  
 2  
 3 (INDOOR)EVA ONLY-----  
 4  
 5 (OUTDOOR)EVO ONLY-----  
 6 OPTIONAL-----  
 7 BY OTHERS-----  
 8  
 9  
 10  
 11  
 12  
 13  
 14  
 15  
 16  
 17  
 18  
 19  
 20  
 21  
 22  
 23  
 24  
 25  
 26  
 27  
 28  
 29  
 30  
 31  
 32  
 33  
 34  
 35  
 36  
 37  
 38  
 39  
 40  
 41  
 42  
 43  
 44  
 45  
 46  
 47  
 48  
 49  
 50  
 51  
 52  
 53  
 54  
 55  
 56  
 57  
 58  
 59  
 60  
 61  
 62  
 63  
 64  
 65  
 66  
 67  
 68  
 69  
 70  
 71  
 72  
 73  
 74  
 75  
 76  
 77  
 78  
 79  
 80  
 81  
 82  
 83  
 84  
 85  
 86  
 87  
 88  
 89  
 90



REFERENCE ASME Y14.5M-1994 FOR GEOMETRIC TOLERANCES. ALL DIMENSIONS IN INCHES. DRAWING NOT TO BE SCALED.  
 NON-BASIC DIMENSIONAL AND ANGULAR TOLERANCES UNLESS OTHERWISE NOTED:  
 DECIMALS: X.X - ±0.1, X.XX - ±0.05, FRACTIONAL: ±1/32. ANGULAR: ±1°

THIS DOCUMENT CONTAINS CONFIDENTIAL INFORMATION WHICH IS THE PROPERTY OF THERMAL SOLUTIONS, LLC. THIS DOCUMENT MAY NOT BE REPRODUCED, TRANSMITTED OR USED, OR ITS CONTENTS DISCLOSED, WITHOUT THE WRITTEN PERMISSION OF THE OWNER.

SUPERCEDS: 34-1065-D

PROPERTY OF Thermal Solutions Products LLC  
 LANCASTER, PA 17604-3244

TITLE: WIRING, MOD, EVA SIZE 1 & 2  
 U/FM/CSD-1/DB&B/RI-POC/LFP; LRS FOR ENABLE/DISABLE  
 DRAWING NUMBER: 34-1102-C SCALE: NONE DWG SIZE: C SHEET: 1 OF 1