

WIRE, 18 AWG:
 BE = BLUE
 BK = BLACK
 BN = BROWN
 GN = GREEN
 OE = ORANGE
 PK = PINK
 RD = RED
 VT = VIOLET
 WE = WHITE
 YW = YELLOW

WIRE, 12 AWG:
 *BK = BLACK
 *GN = GREEN
 *WE = WHITE
 *RD = RED

RELAY/SWITCH
 TERMINALS:
 C = COMMON
 NC = NORM. CLOSED
 NO = NORM. OPEN

OR = SHIELDED
 CABLE

CONTROL PANEL
 TERMINAL STRIP

WIRE JUNCTION
 W/ SPRING CAGE
 CONNECTOR
 (PN 81368915)

AR = ALARM RELAY
 SPDT
 AS = ALARM SILENCE
 RELAY SPDT

REV. F	EN: 34-1084-9299	DATE: 09/30/14	DWN:	CJW	ENG:	MKU	APPD:	APPD:
LWCO WAS UPDATED								

REFERENCE ASME Y14.5M-1994 FOR GEOMETRIC TOLERANCES. ALL DIMENSIONS IN INCHES. DRAWING NOT TO BE SCALED.
 NON-BASIC DIMENSIONAL AND ANGULAR TOLERANCES UNLESS OTHERWISE NOTED:
 DECIMALS: X.X - ±0.1, X.XX - ±0.03, X.XXX - ±0.005, FRACTIONAL: ±1/32, ANGULAR: ±1°

THIS DOCUMENT CONTAINS CONFIDENTIAL INFORMATION WHICH IS THE PROPERTY OF THERMAL SOLUTIONS, LLC. THIS DOCUMENT MAY NOT BE REPRODUCED, TRANSMITTED OR USED, OR ITS CONTENTS DISCLOSED, WITHOUT THE WRITTEN PERMISSION OF THE OWNER.

Thermal Solutions Products LLC
 PROPERTY OF
 LANCASTER, PA 17604-3244

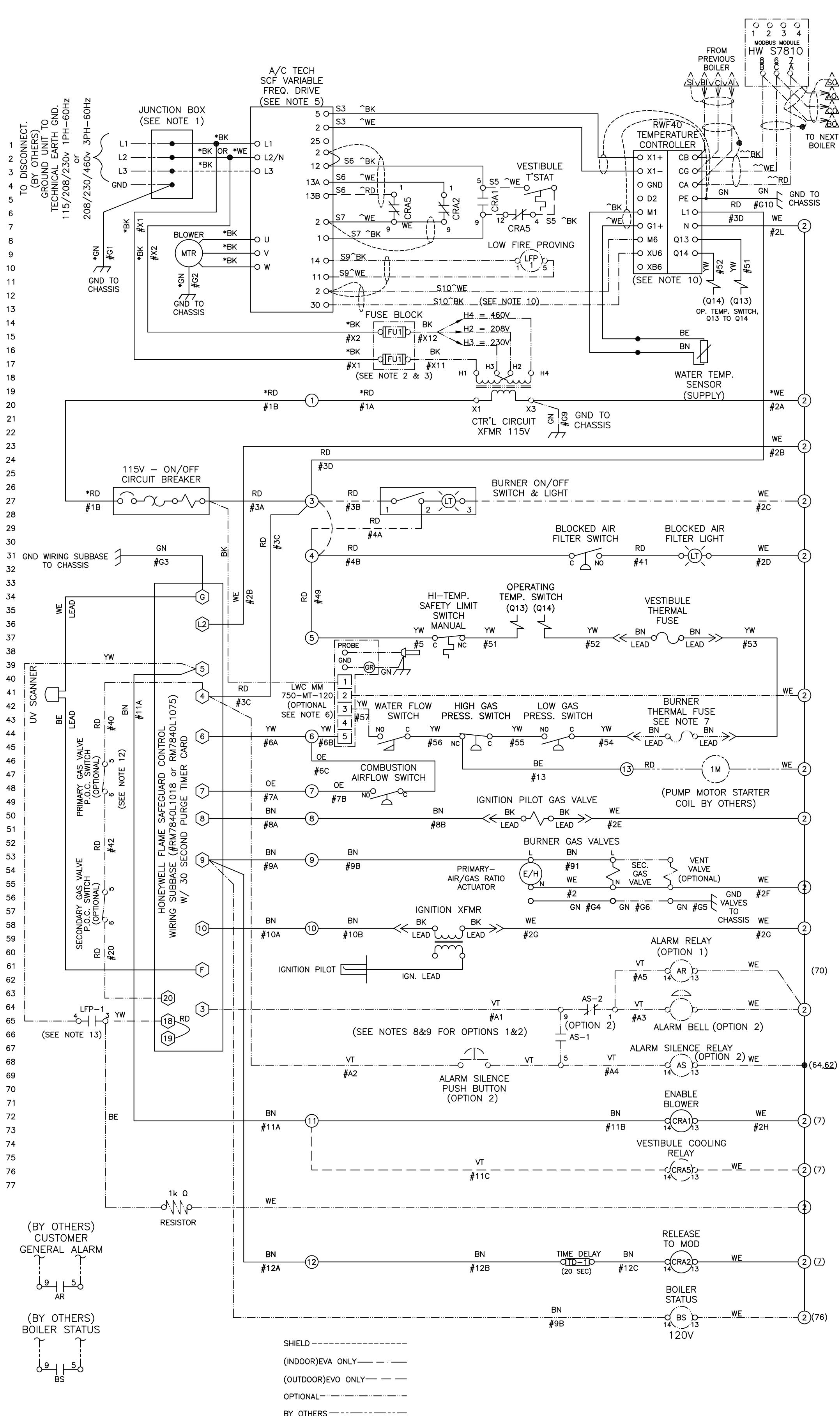
TITLE
 WIRING, MOD, EVA SIZE 1 & 2
 115/208/230/460-1/3PH-60HZ
 LOW FIRE PROVING(LFP)/IRI-POC, STD OPTIONS

DRAWING NUMBER
 34-1154-C

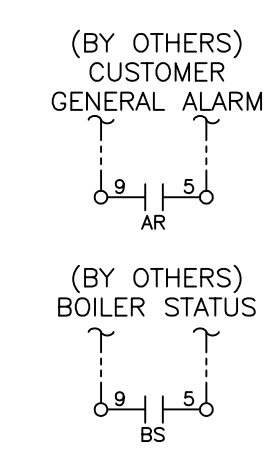
SCALE
 NONE

DWG SIZE
 C

SHEET
 1 OF 1



- NOTES:
- USE TERMS L1 & N FOR 115V 1PH(BK & WE WIRE)
 - USE TERMS L1, L2, & L3 FOR 208/230 1PH(BK WIRES)
 - UL CLASS 'OC' CARTRIDGE FUSE, TIME DELAY, 600VAC, 200KA I.R., 3 AMP FOR 120V-1PH ONLY:
 - A. COMBINE RD WIRE LABELED 1A INTO SPRING CAGE CONNECTOR W/ L1 WIRES FROM J-BOX AND VFD. CONNECTOR WE WIRE LABELED 2A INTO SPRING CAGE. TRANSFORMER GROUND IS NOT USED.
 - FACTORY WIRED TO TERMINAL 5 FOR 0-10VDC. IF 4-20mA IS USED, CONNECT WIRE S3/BK TO TERM 25 AND CHANGE PARAMETER P-05 TO 04.
 - IF LOW WATER CUTOFF IS NOT USED, YW WIRE 6B IS CONNECTED FROM TERMINAL 6 TO WATER FLOW SWITCH TERMINAL (NO)
 - IF THE BURNER THERMAL FUSE IS NOT USED, CONNECT YW WIRE #54 FROM VESTIBULE THERMAL FUSE TO THE LOW GAS PRESSURE SWITCH C.
 - OPTION 1: GENERAL ALARM RELAY CAN BE USED WITH OPTION 2 WHEN SPECIFIED ON WORK ORDER. IF OPTION 2 IS NOT SPECIFIED, CONNECT VT WIRE #A1 FROM TERM 3 ON SUBBASE TO TERM 14 ON ALARM RELAY
 - OPTION 2: ALARM BELL, SILENCING SWITCH, & SILENCING RELAY CAN BE USED WITH OPTION 1 WHEN SPECIFIED ON THE WORK ORDER. IGNORE OPTION 1 IF IT IS NOT SPECIFIED.
 - FOR MODBUS BUILD ONLY(PN'S ECOS-THB OR ECOS-THB1):
 A) REPLACE STANDARD RWF40.001A97 W/ MODBUS CAPABLE RWF40.002B97.
 B) PROGRAM C111=9E00
 C) INSTALL WIRES ON TERMINALS M6, XU6, CB, CG, & CA OF RWF40.002B97 AS SHOWN
 - IF THE POC OPTION IS NOT USED, INSTALL A JUMPER WIRE FROM TERMINAL 4 TO TERMINAL 20 ON THE HONEYWELL FLAME SAFEGUARD WIRING SUBBASE.
 - IF THE LFP OPTION IS NOT USED, JUMPER TERMINAL 5 TO TERMINAL 18 ON THE HONEYWELL FLAME SAFEGUARD WIRING SUBBASE.



SHIELD-----
 (INDOOR)EVA ONLY-----
 (OUTDOOR)EVO ONLY-----
 OPTIONAL-----
 BY OTHERS-----